

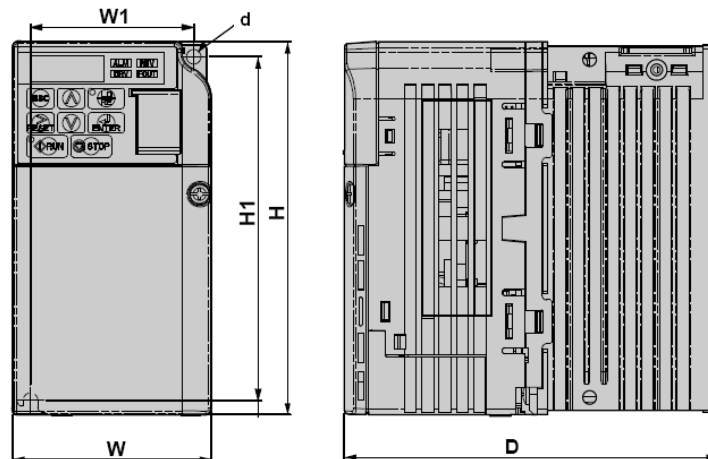


## Ratings and Dimensions\*

Voltage	Model	*Max. Full Load Amps	Rated HP (Approx)	Dimensions in Inches							Wt. Lbs.	Total Heat Loss (W)**
				W	H	D	W1	H1	d			
230V	2001-G+M	1.6	¼	2.68	5.04	2.99	2.20	4.65	M4	1.3	14.7	
	2003-G+M	3.0	½	2.68	5.04	4.25	2.20	4.65	M4	2.0	24.0	
	2005-G+M	5.0	1	2.68	5.04	5.04	2.20	4.65	M4	2.4	36.7	
	2008-G+M	8.0	2	4.25	5.04	5.08	3.78	4.65	M4	3.7	61.9	
	2011-G+M	11.0	3	4.25	5.04	5.41	3.78	4.65	M4	3.7	81.3	
	2017-G+M	17.5	5	5.51	5.04	5.63	5.04	4.65	M4	5.3	122.7	
	2025-G+M	25.0	7 ½	5.51	10.00	5.51	4.80	9.76	M5	8.4	248.5	
	2033-G+M	33.0	10	5.51	10.00	5.51	4.80	9.76	M5	8.4	282.6	
	2047-G+M	47.0	15	7.09	11.42	6.42	6.30	11.18	M5	12.1	389.7	
	2060-G+M	60.0	20	8.66	13.78	7.36	7.56	13.23	M5	20.3	536.8	
460V	4001-G+M	1.2	½	4.25	5.04	3.19	3.78	4.65	M4	2.2	19.1	
	4002-G+M	1.8	¾	4.25	5.04	3.90	3.78	4.65	M4	2.6	27.1	
	4003-G+M	3.4	2	4.25	5.04	5.41	3.78	4.65	M4	3.7	38.3	
	4004-G+M	4.8	3	4.25	5.04	6.06	3.78	4.65	M4	3.7	57.4	
	4009-G+M	9.2	5	5.51	5.04	5.63	5.04	4.65	M4	5.3	97.1	
	4014-G+M	14.8	7 ½	5.51	10.00	5.51	4.80	9.76	M5	8.4	173.4	
	4018-G+M	18.0	10	5.51	10.00	5.51	4.80	9.76	M5	8.4	219.4	
	4024-G+M	24.0	15	7.09	11.42	5.63	6.30	11.18	M5	11.5	283.8	
	4031-G+M	31.0	20	7.09	11.42	6.42	6.30	11.18	M5	12.1	344.3	

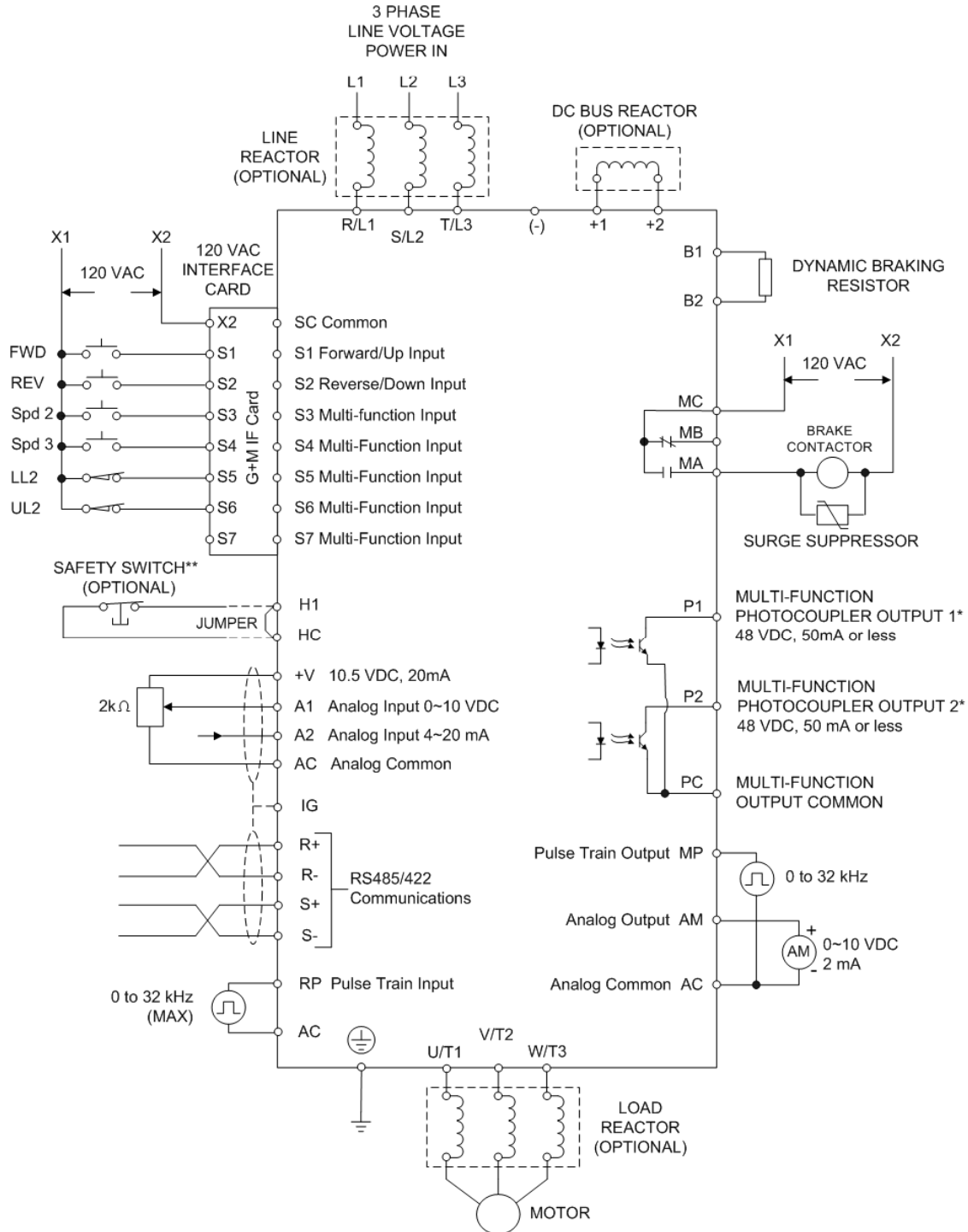
\*NOTE: Applications such as high duty cycles in conjunction with high ambient temperatures or other unique environmental conditions can impact drive ratings. Please consult factory. Due to ongoing improvements, data is subject to change without notice.

\*\* Heat loss for carrier frequency of 2.0 kHz Heavy Duty.





## Wiring Diagram



\* Optional P3S2-OUT2 card provides two 240 VAC, 1.5 Amp solid-state relay outputs  
\*\* In accordance with UL508C, EN954-1 Safety Category 3, and EN61508, SIL2